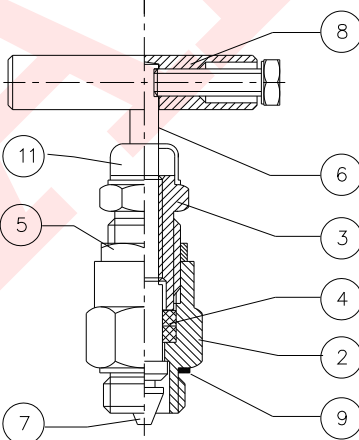
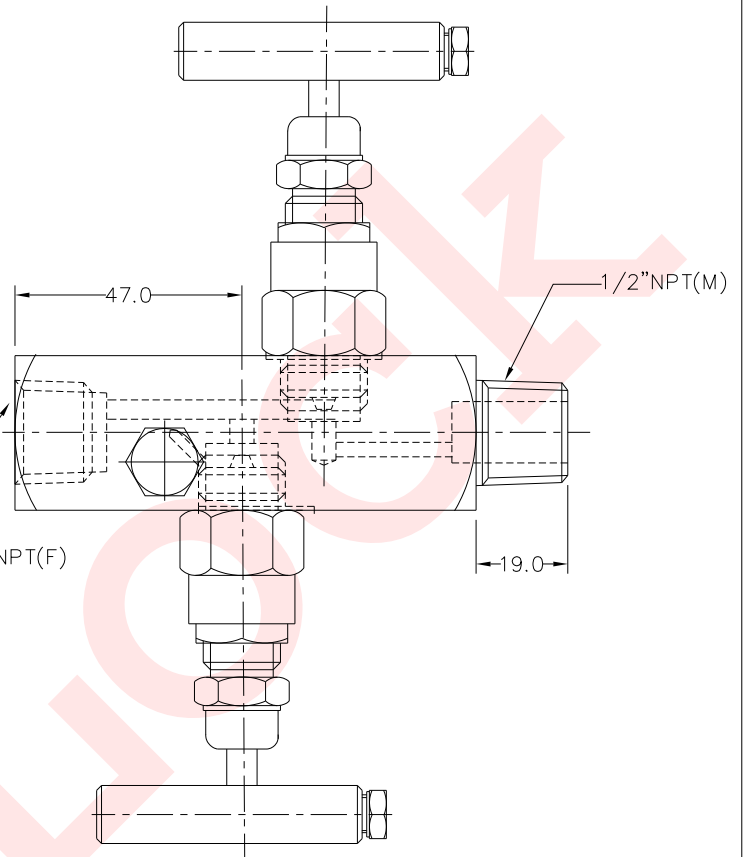
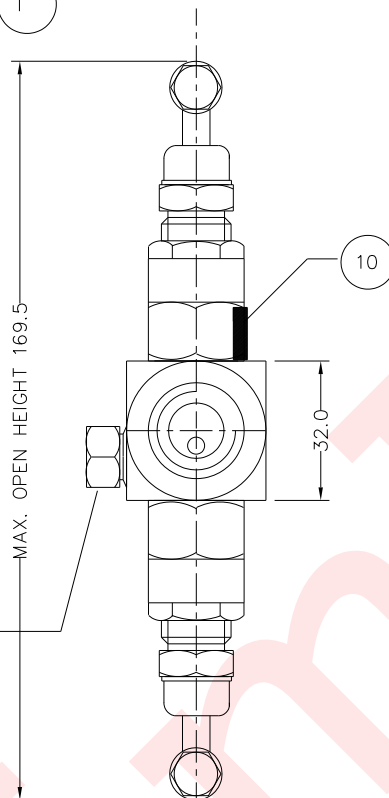
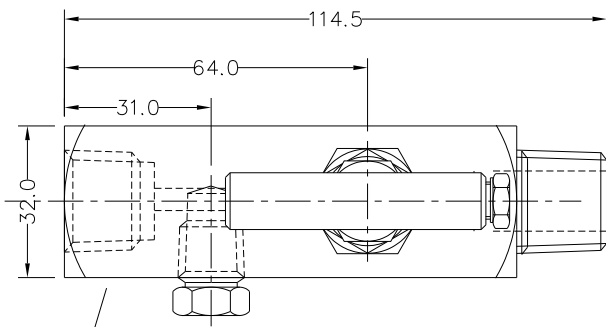


2 Valve Block & Bleed Type



AmLock

AMI MARKETING SERVICES



PART DESCRIPTION	MATERIAL	QTY
1 BODY	SS 316	1
2 GLAND BODY	SS 316	2
3 GLAND RETAINER	SS 316	2
4 GLAND SEAL	P.T.F.E.	4
5 CHECK NUT	SS 316	2
6 SPINDLE	SS 316	2
7 TRIM	SS 316	2
8 HANDLE	SS 304	2
9 WASHER	S.S.	2
10 LOCK PIN	S.S.	2
11 DUST CAP	P.V.C.	2
12 DRAIN PLUG 1/4\"NPT	SS 316	1

CLIENT : P.O. No. : P.O. Sr.No. : QUANTITY : TEST PRESSURE : Refer This Number As drawing No.	DO NOT SCALE DRAWING TOLERANCES UNLESS SPECIFIED INCH METRIC (0.00")±0.025" (0.0mm)±0.40mm (0.000")±0.007" (0.00mm)±0.20mm	All Dimensions are in millimeters unless specified FLOW DIGRAM 	REV: 00 DATE: DRN BY: CHECKED: APPROVED:	TITLE 2WAY GAUGE VALVE PART NO. : AM-2VM/B NO. AM-2VM/B
	FILED LOCATION C:\SUHAS\PARTNOWISE\No. This Drawing Is In Third Angle Projection			