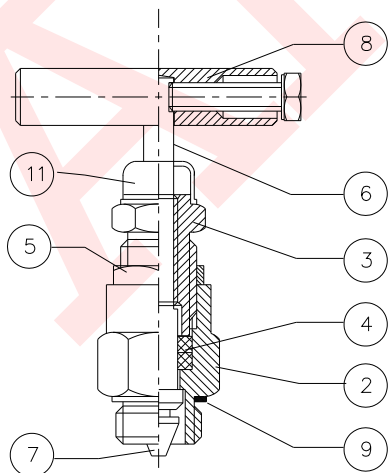
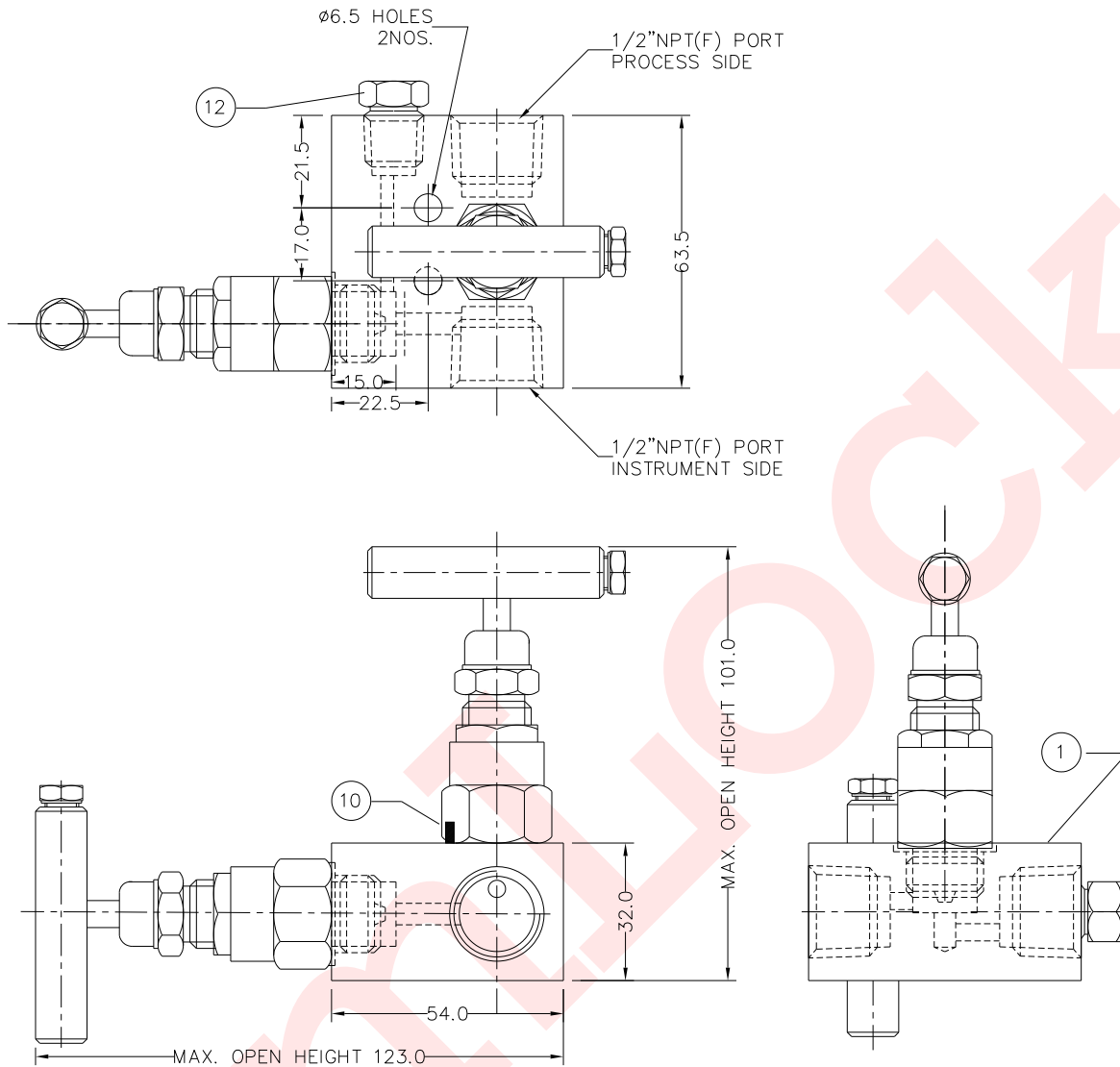


2 Valve Flat Type



AmLock

AMI MARKETING SERVICES



PART No.	PART DESCRIPTION	MATERIAL	QTY
1	BODY	SS 316	1
2	GLAND BODY	SS 316	2
3	GLAND RETAINER	SS 316	2
4	GLAND SEAL	P.T.F.E.	4
5	CHECK NUT	SS 316	2
6	SPINDLE	SS 316	2
7	TRIM	SS 316	2
8	HANDLE	SS 304	2
9	WASHER	S.S.	2
10	LOCK PIN	S.S.	2
11	DUST CAP	P.V.C.	2
12	DRAIN PLUG 1/4"NPT	SS 316	1

CLIENT : P.O. No. : P.O. Sr.No. : QUANTITY : TEST PRESSURE : Refer This Number As drawing No.	DO NOT SCALE DRAWING	All Dimensions are in millimeters unless specified	REV: 00	TITLE 2VALVE MANIFOLD FLAT TYPE PART NO. : AM-2VM/F
	TOLERANCES UNLESS SPECIFIED INCH METRIC (0.00")±0.025" (0.0mm)±0.40mm (0.000")±0.007" (0.00mm)±0.20mm	FLOW DIGRAM 	DATE: DRN BY: CHECKED: APPROVED:	NO. AM-2VM/F
	FILED LOCATION C:\SUHAS\PARTNOWISE\No.	This Drawing Is In Third Angle Projection		AmLock AMI MARKETING SERVICES