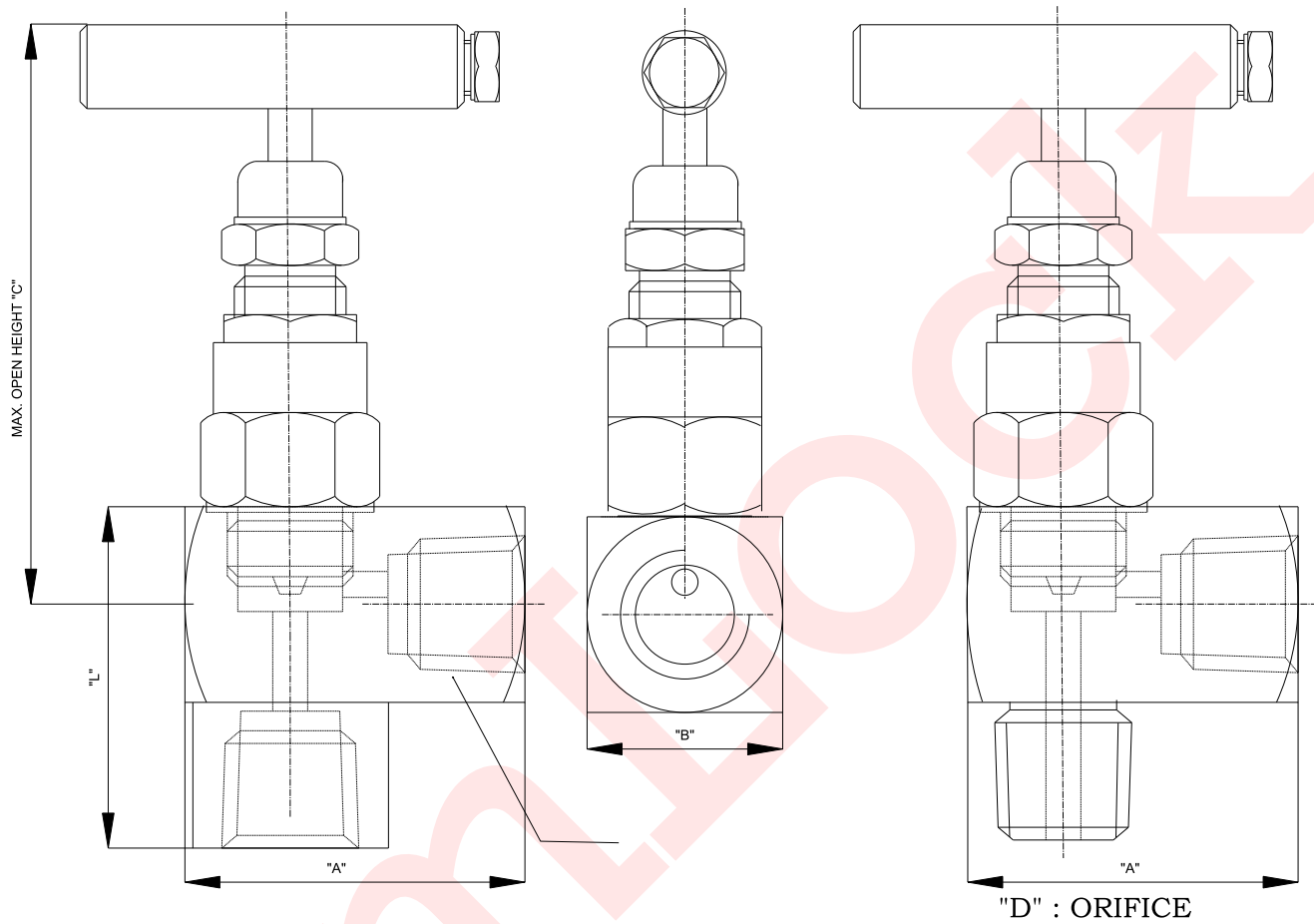


Angle Type Needle Valve




AmLock

AMI MARKETING SERVICES



PART NO	SIZE	PATTERN	ENDS	MATL	A	B	C	L	D
WN5572	1/4"	A	MF	CS	42.0	28.0	88.0	42.0	4.2
WN5574	1/2"	A	MF	CS	50.0	32.0	90.0	50.0	7.0

DO NOT SCALE DRAWING	All Dimensions are in millimeters unless specified	REV:00	TITLE	ANGLE TYPE NEEDLE VALVE SOFT SEAT ASPER MODEL NO.
TOLERANCES UNLESS SPECIFIED		DATE:	NO.	NV-003A
INCH (0.00")±0.025" (0.000")±0.007"		DRN BY:	 AmLock AMI MARKETING SERVICES	
METRIC (0.0mm)±0.40mm (0.00mm)±0.20mm		CHECKED:		
C:\SUHAS\STDDRGS\CATLOUGE\No.		APPROVED:		
This Drawing Is In Third Angle Projection				