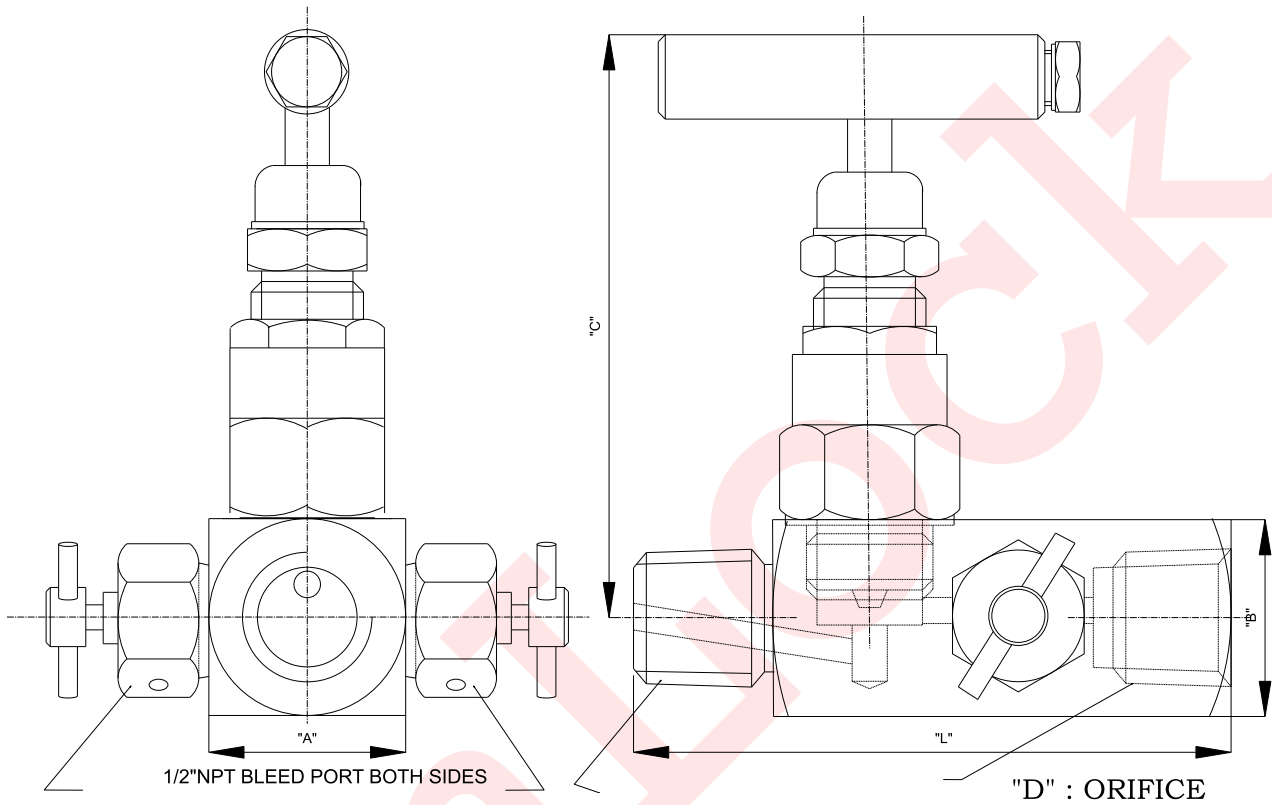


Block & Bleed Needle Valve


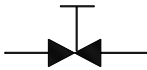


AmLock

AMI MARKETING SERVICES



PART NO	INLET	OUTLET	ENDS	MATL	A	B	C	L	D
N8534	1/2"	1/2"	MF	316 SS	32.0	32.0	88.0	95.0	7.0
N8536	3/4"	1/2"	MF	316 SS	32.0	32.0	88.0	95.0	7.0
N7534	1/2"	1/2"	MF	CS	32.0	32.0	88.0	95.0	7.0
N7536	3/4"	1/2"	MF	CS	32.0	32.0	88.0	95.0	7.0

DO NOT SCALE DRAWING	All Dimensions are in millimeters unless specified	REV:01	TITLE	BLOCK/BLEED TERMINAL NEEDLE VALVE AS PER MODEL NO.
TOLERANCES UNLESS SPECIFIED	FLOW DIGRAM	DATE:	NO.	NV-004
(0.00")±0.025" (0.000")±0.007"	(0.0mm)±0.40mm (0.00mm)±0.20mm	DRN BY:	 AmLock AMI MARKETING SERVICES	
CISUHAS\STDDRGS\CATLOUGE\No.		CHECKED:		
This Drawing Is In Third Angle Projection		APPROVED:		