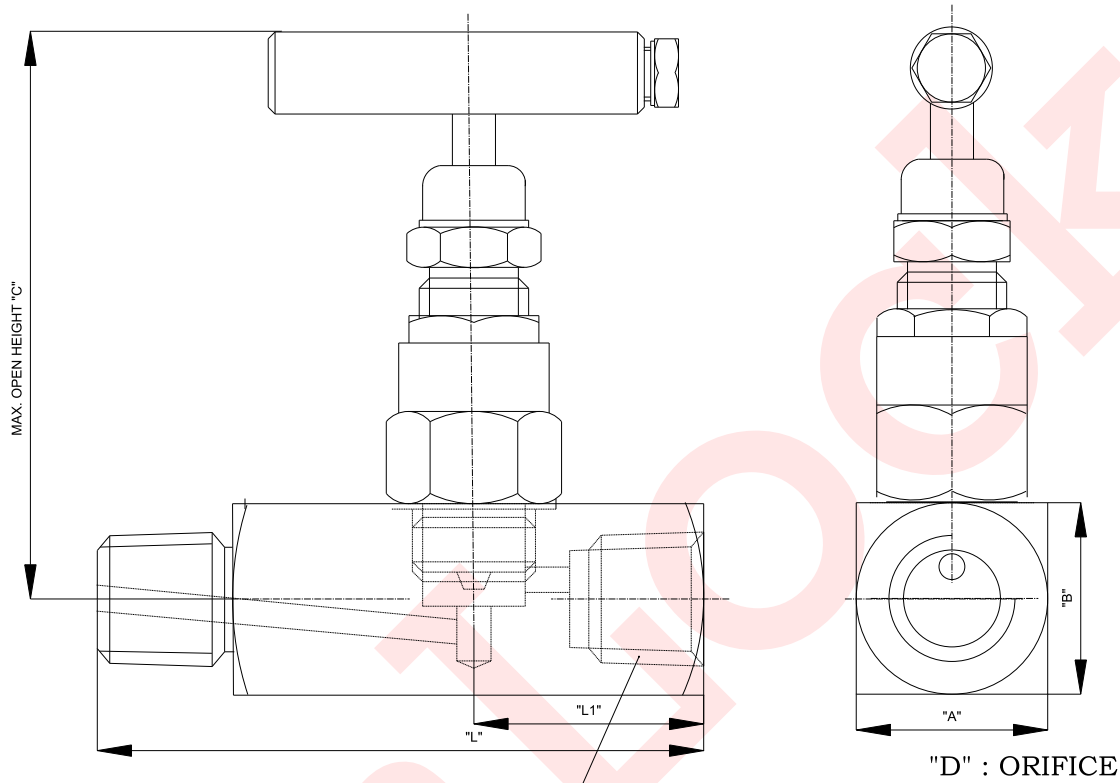


Needle Valve M/F



PART NO	SIZE	PATTERN	ENDS	MATL	A	B	C	L	L1	D
WN1532	1/4" X 1/4"	G	MF	CS	28.5	28.5	83.0	76.0	30.0	4.2
WN1534	1/2" X 1/2"	G	MF	CS	38.0	38.0	88.0	89.0	32.0	7.0
WN1332	1/4" X 1/4"	G	MF	316 SS	28.5	28.5	83.0	76.0	30.0	4.2
WN1334	1/2" X 1/2"	G	MF	316 SS	38.0	38.0	88.0	89.0	32.0	7.0
WN1536	3/4" X 3/4"	G	MF	CS	40.0	40.0	93.0	89.0	32.0	9.0
WN1537	3/4" X 1/2"	G	MF	CS	38.0	38.0	92.0	89.0	32.0	7.0
WN1538	1" X 1"	G	MF	CS	45.0	45.0	115.0	105.0	43.0	12.0
WN1336	3/4" X 3/4"	G	MF	316 SS	40.0	40.0	93.0	89.0	32.0	9.0
WN1337	3/4" X 1/2"	G	MF	316 SS	38.0	38.0	92.0	89.0	32.0	7.0
WN1338	1" X 1"	G	MF	316 SS	45.0	45.0	115.0	105.0	43.0	12.0

DO NOT SCALE DRAWING	All Dimensions are in millimeters unless specified	REV:01	TITLE	NEEDLE VALVE AS PER MODEL NO.
TOLERANCES UNLESS SPECIFIED		DATE:	NO.	NV-002MF
INCH (0.00")±0.025" (0.000")±0.007"	FLOW DIGRAM 	DRN BY:		
METRIC (0.0mm)±0.40mm (0.00mm)±0.20mm		CHECKED:		
CISUHAS\STDDRGS\CATLOUGE\No.		APPROVED:		
This Drawing Is In Third Angle Projection				