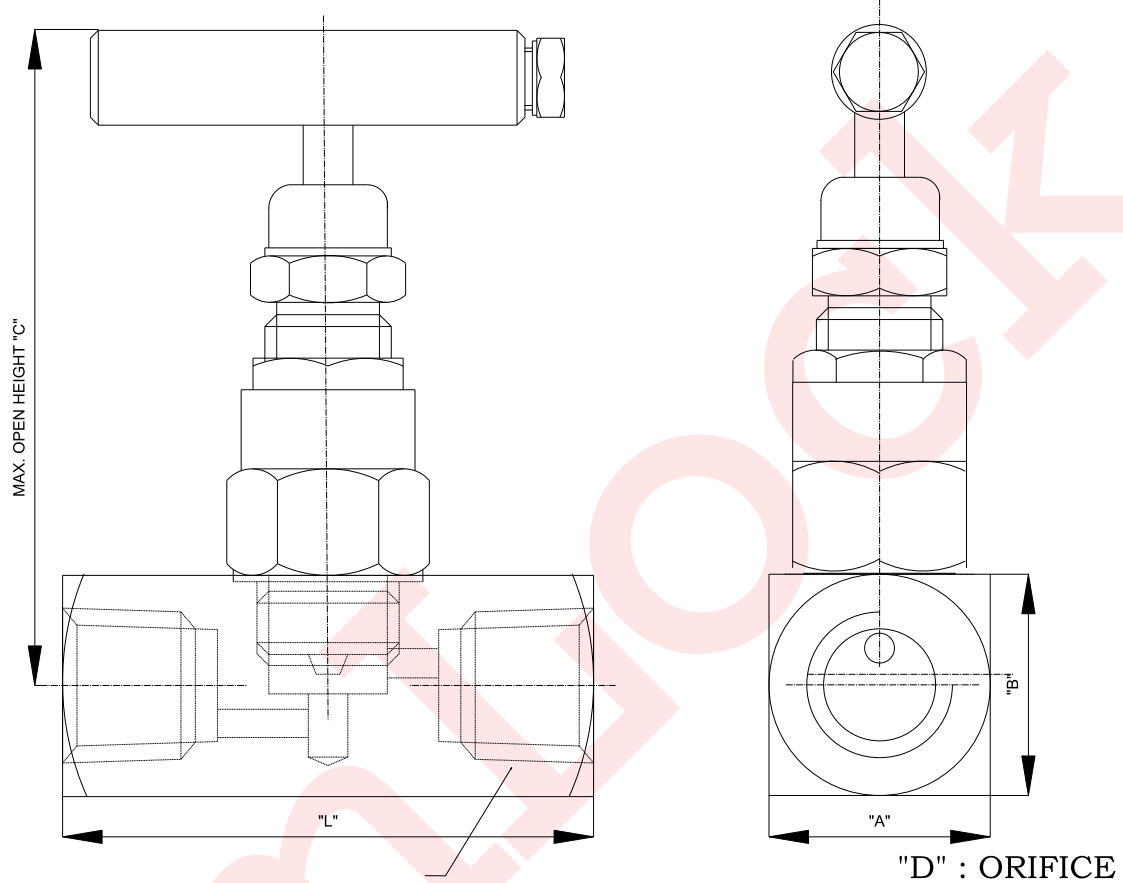


Needle Valve Soft Seat



AmLock

AMI MARKETING SERVICES



PART NO	SIZE	PATTERN	ENDS	MATL	A	B	C	L	D
WN5312	1/4"	G	FF	316 SS	28.5	28.5	83.0	60.0	4.2
WN5314	1/2"	G	FF	316 SS	32.0	32.0	88.0	68.0	7.0
WN5318	1"	G	FF	316 SS	45.0	45.0	105.0	80.0	12.0
WN5512	1/4"	G	FF	CS	28.5	28.5	83.0	60.0	4.2
WN5514	1/2"	G	FF	CS	32.0	32.0	88.0	68.0	7.0
WN5518	1"	G	FF	CS	45.0	45.0	105.0	80.0	12.0

DO NOT SCALE DRAWING	All Dimensions are in millimeters unless specified	REV:01	NEEDLE VALVE SOFT SEAT AS PER MODEL NO.
TOLERANCES UNLESS SPECIFIED		DATE:	NO.
INCH (0.00")±0.025" METRIC (0.0mm)±0.40mm (0.000")±0.007" (0.00mm)±0.20mm		DRN BY:	
CISUHAS\STDDRGS\CATLOUGE\No.		CHECKED:	AmLock AMI MARKETING SERVICES
This Drawing Is In Third Angle Projection		APPROVED:	